

## 30.8 cu. ft. InstaView™ Door-in-Door® 4-Door French Door Refrigerator

- 30.8 cu. ft. Capacity
- InstaView™ Door-in-Door®
- Auto Open Door™
- Auto Open Drawer™
- Voice Control
- FRESHShield™ Cooling
- LUMIShelf™ Undershelf Lighting
- Custom Chill™ Pantry
- Measured Fill
- Cool Guard Stainless Steel Back Wall
- LG ThinQ® Technology (Wi-Fi)



### COLOR AVAILABILITY

- URNTS3106N – Textured Steel™

### CAPACITY

Refrigerator (cu. ft.)	18.8
Freezer (cu. ft.)	12.0
Total Capacity (cu. ft.)	30.8

### ENERGY

Energy Consumption (kWh / Year)	807
ENERGY STAR® Qualified	Yes

### WATER & ICE SYSTEM

Ice & Water Dispenser	Yes
Dispenser Type	Integrated Ice & Water
Measured Fill	Yes
Dual Ice Maker	No
Ice System	Slim SpacePlus®
Daily Ice Production (lbs.)	4.5
IcePlus™ Production (lbs.)	4.9
Ice Storage Capacity (lbs.)	3.0
Dispenser Light	Yes
Water Filter	LT800P (NSF-Certified*)

### COOLING

Compressor Type	Linear Compressor
Dual Evaporators	Yes
Cooling System	FRESHShield™ Cooling (Top Cooling)
Multi-Air Flow™ System	Yes
Door Cooling+	No
Temperature Sensors	8
Fresh Air Filter	Yes

### CONVENIENCE

Display Type	Smooth Touch Control / White LED
Temperature Controls	Electronic / Digital
Door Alarm	Yes
Child Lock	Yes
Auto Closing Door Hinge	Yes
ADA Compliant	Yes
Sabbath Mode	Yes
LoDecibel™ Quiet Operation	Yes

### REFRIGERATOR

No. of Shelves	4 Split (2 slide out + 2 fixed)
Cantilevered Shelves	Yes
Shelf Construction	Tempered Glass with LUMIShelf™ LED Lights
Crisper Bins	2 (Soft Close)
Glide N' Serve™ Pantry Drawer	Yes (soft close) with Temperature Control
EasyReach™ Bins	Yes (full width)
Cool Guard	Yes
Refrigerator Light	LED (Ceiling and Shelves)
Auto Open Door™ (Foot Activated)	Yes
Full-Convert™ Drawer	No
Handle Type	Pocket Handles

### REFRIGERATOR DOOR

InstaView™ Door-in-Door®	Yes
Door-in-Door® with ColdSaver™ Panel	Yes
No. of Door Bins	6 Total (EasyLift™ Included)
Door Bin Construction	3 Piece (Clear + Steel Bar)

## FREEZER

Freezer Type	French Side Swing
Freezer Drawers	6
Auto Open Drawer™	Yes
Ice Storage	Ice Maker in Door
Freezer Light	LED
No. of Door Bins	6 (Clear)
Freezer Handle	Pocket Handles

## SMART FEATURES

Wi-Fi Enabled	Yes
ThinQ®	Yes
Proactive Customer Care	Yes
Voice Control	Google Assistant, Amazon Alexa
SmartDiagnosis™	Yes
Remote Monitoring	Yes
Wi-Fi Eclipse Display	Yes

## MATERIALS AND FINISHES

Hidden Hinges	Yes
Surface	Brushed
Fingerprint & Smudge Resistant Exterior	Yes
Handles	Pocket Handles

## ACCESSORIES

Replacement Water Filter	LT800P
Replacement Fresh Air Filter	LT120F

## TECHNICAL SPECS

Required Power Supply	115 V, 60 Hz, 15 Amp
Plug Type	3-Prong
Power Cord Location	Back
Min. / Max. Water Pressure	20 – 120 psi

## DIMENSIONS / CLEARANCES / WEIGHTS

Depth with Handles	36 5/8"
Depth without Handles	36 5/8"
Depth without Door	31 7/8"
Depth (Total with Door Open)	49 3/4"
Height to Top of Case	69"
Height to Top of Door Hinge	70 1/4"
Width	35 7/8"
Width (Door Open 90° with Handle)	40 1/8"
Width (Door Open 90° without Handle)	40 1/8"
Door Edge Clearance with Handle	2 1/3"
Door Edge Clearance without Handle	2 1/3"
Installation Clearance	Sides 2", Top 2", Back 2"
Approx. Weight (Product / Carton)	483 lbs. / 516 lbs.
Carton Dimensions (WxHxD)	38" x 73" x 39"

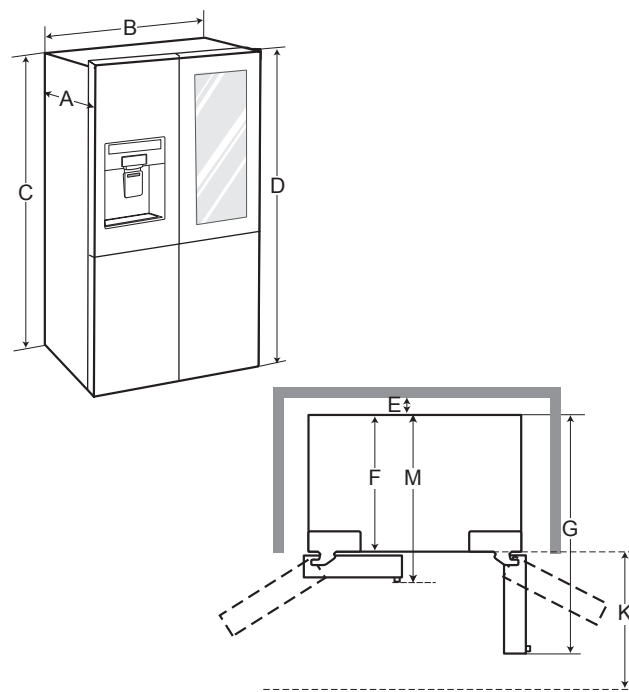
## LIMITED WARRANTY

Parts & Labor	1 Year
Sealed System (Parts & Labor)	5 Years
Compressor (Parts & Labor)	5 Years
Linear / Inverter Compressor (Parts Only)	10 Years



\*System tested and certified by NSF® International against NSF / ANSI Standard 42 and Standard 53.

## DIMENSIONS / CLEARANCES



## DIMENSIONS / CLEARANCES

A	Depth without Handles	36 5/8" (930 mm)
B	Width	35 7/8" (912 mm)
C	Height to Top of Case	69" (1753 mm)
D	Height to Top of Hinge	70 1/4" (1784 mm)
E	Back Clearance	2" (50 mm)
F	Depth without Door	31 7/8" (811 mm)
G	Depth (Total with Door Open 90°)	49 3/4" (1264 mm)
K	Front Clearance	24" (610 mm)
M	Depth with Handle	36 5/8" (930 mm)

## INSTALLATION NOTES

- The installation location chosen for the refrigerator should allow space behind the unit for connections and airflow and space in front to open the doors and drawers.
- Too small of a distance from adjacent items may result in lowered freezing capability and increased electricity consumption charges. Allow at least 24 inches (610 mm) in front of the refrigerator to open the doors, and at least 2 inches (50.8 mm) between the back of the refrigerator and the wall.